

Motion detector - Professional Line

IS 345

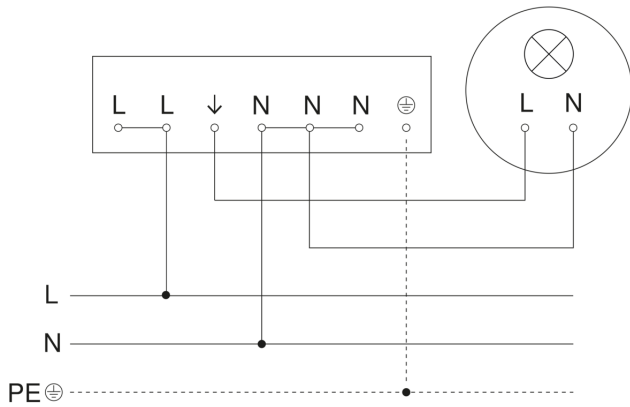
COM1 - surface, rd.
EAN 4007841 033798
Article number 033798



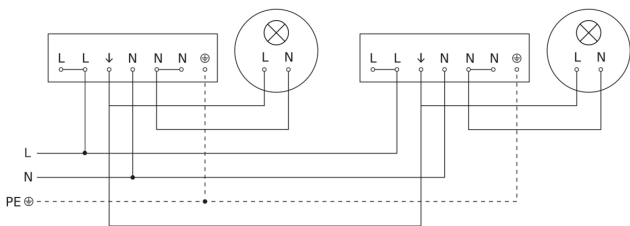
IS 345

COM1 - surface, rd.
EAN 4007841 033798
Article number 033798

Circuit diagram



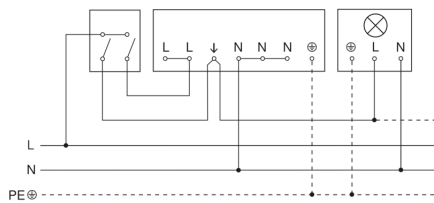
Circuit diagram for interconnecting several sensors



IS 345

COM1 - surface, rd.
EAN 4007841 033798
Article number 033798

Connection using two-circuit switch for manual and automatic operation



Circuit diagram Connection via a changeover switch for continuous and automatic operation

